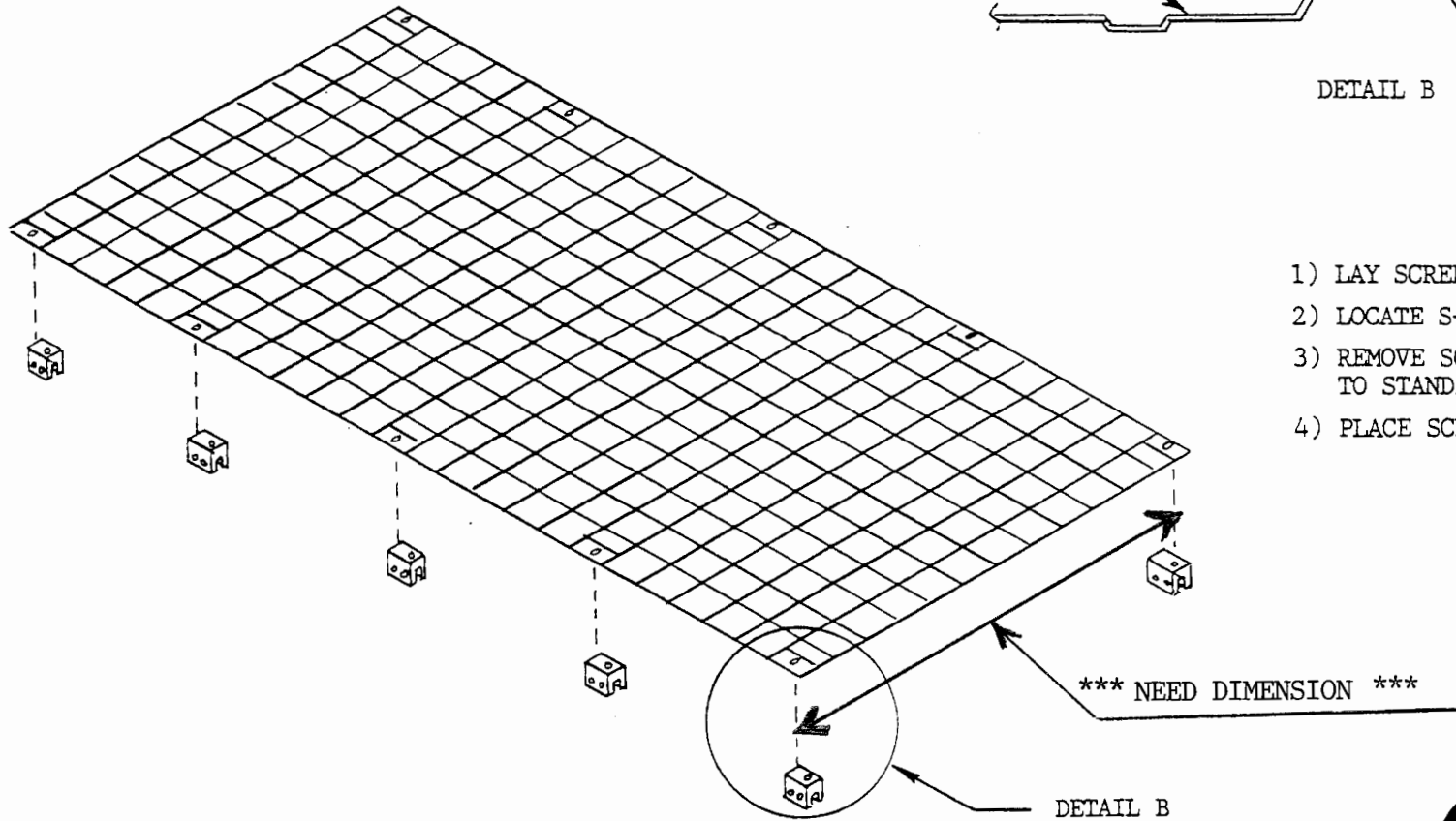
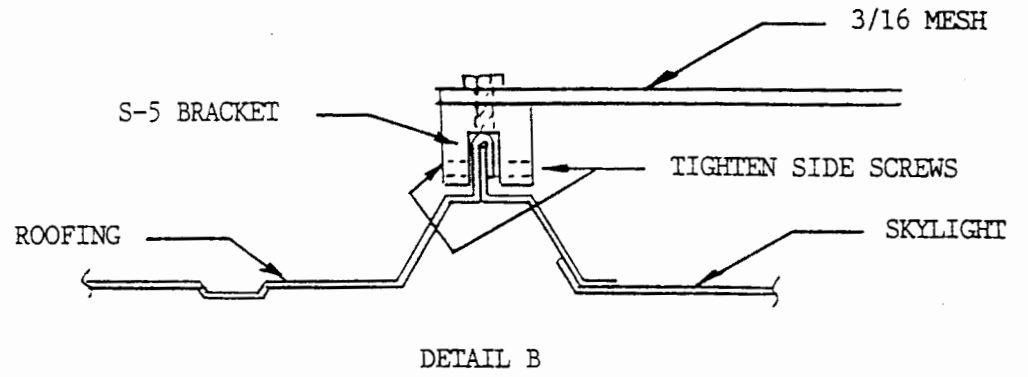


TRAPEZOIDAL STANDING SEAM SKYLIGHT PROTECTION



- 1) LAY SCREEN OVER SKYLIGHT
- 2) LOCATE S-5 BRACKETS AT SLOT LOCATIONS
- 3) REMOVE SCREEN AND ATTACH S-5 BRACKETS TO STANDING SEAM
- 4) PLACE SCREEN ON S-5 BRACKETS AND ATTACH



WINCHESTER FABRICATORS, INC.
705 N JAMES ROAD, COLUMBUS OH 43219

(614) 235-4577 FAX (614) 235-3070