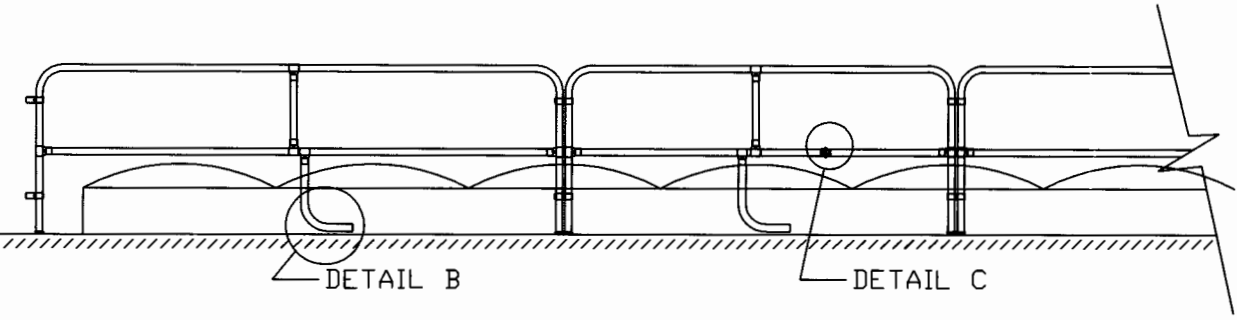
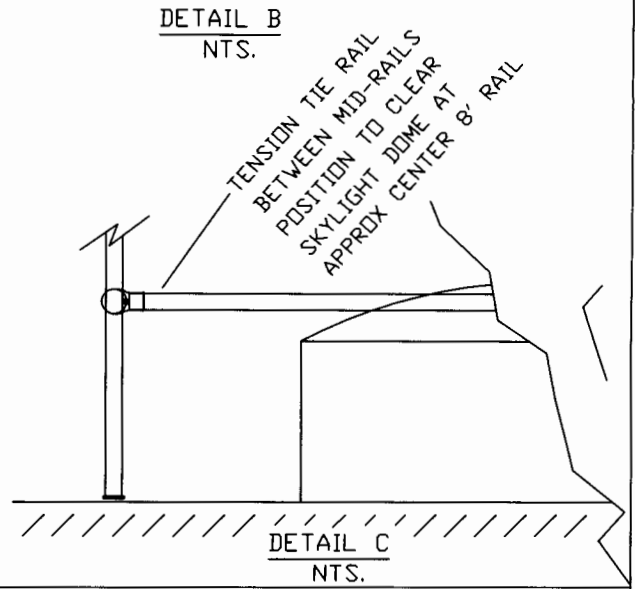
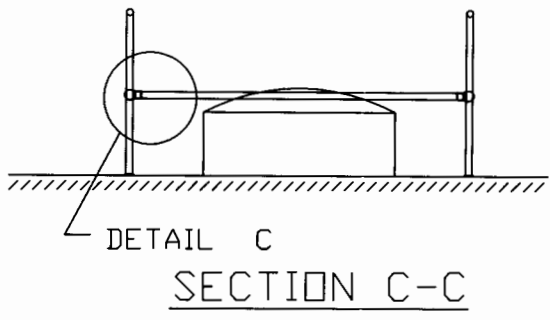
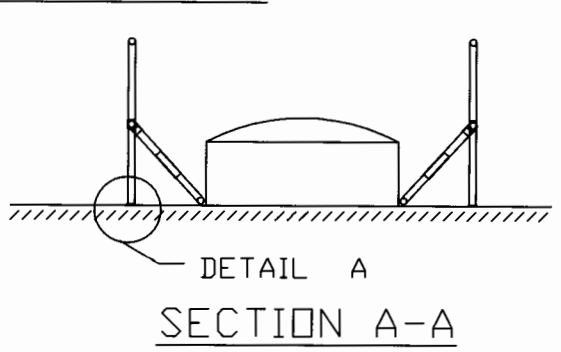
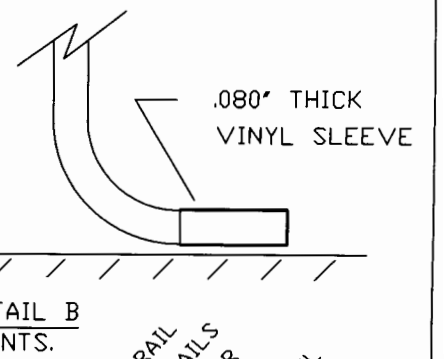
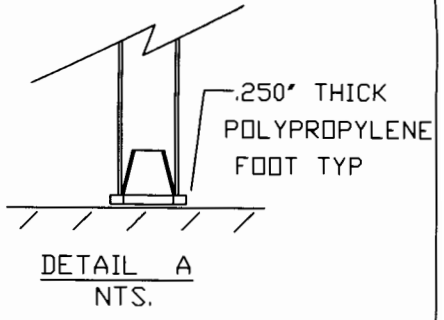


LA
PLAN VIEW



FRONT ELEVATION

NO	DATE	DESCRIPTION	BY	CHK'D	APP'D
0	12/1/08	ORIGINAL ISSUE	JS	CJV	
REVISIONS					

TOLERANCES (EXCEPT AS NOTED)	
DECIMAL	+/- .0625"
FRACTIONAL	+/- 1/16"
ANGULAR	+/- 0.5°



WINCHESTER FABRICATORS, INC.
705 N. JAMES RD. PHONE: (614) 235-4577
COLUMBUS, OHIO 43219 FAX: (614) 235-3070

DRAWING TITLE : 25'6" LONG ARCHITECTURAL SKYLIGHT RAILING

JOB NO : SCALE : 1/4"=1' DRAWING NO :